



STANLEY ERRIGAL WOODBURNER STOVE

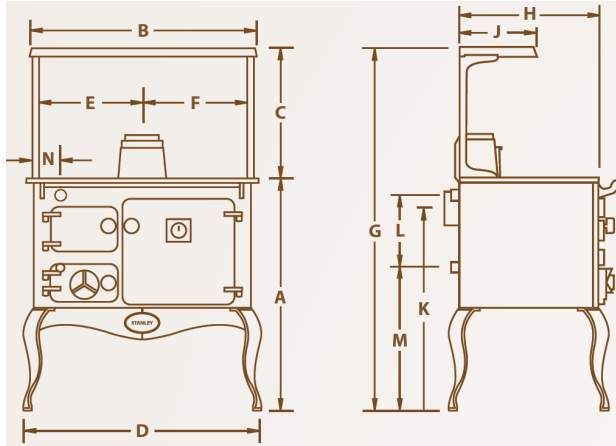


FRONT VIEW mm

A	B	C	D	E	F	N
880	905	510	950	452	452	135

SIDE VIEW mm

G	H	J	K	L	M
1390	565	290	725	222	590



The hand built Stanley Errigal cooker comes complete with a solid cast iron stove and a large firebox, and includes a precision draft wheel that lets you accurately control your cooking room temperature. Teamed with an optional Domestic Hot Water System DHW the Errigal can even reduce your hot water heating costs by supplementing your water heater power usage. In addition the large cooking surface can be extended with optional side shelves providing valuable extra space. An overhead Splash Back and Plate Rack is also available to provide additional storage, and as the flue pipe runs straight up warming the rack, it makes a perfect place to warm plates before serving. A consistent and indirect heat around the oven produces the wonderful cooking environment associated with Stanley cookers all whilst providing a gentle background warmth.

BOILER		DHW OUTPUT	
DHW OR NON-BOILER		3.0 kW	
HEAT TRANSFER		WARRANTY*	COLOUR
Radiant		1 year labour 2 years parts	
GRATE	ASH REMOVAL	FIREBRICKS	FIREBOX
Riddling Bars	Ash Tray	Refractory Ceramic Brick Lined	Cast Iron Construction
Machine Dimensions			
WIDTH	DEPTH	HEIGHT	WEIGHT
900mm	615mm	880mm - 1390mm w/splash rack	325kg
Internal Fire Box			
WIDTH	DEPTH	HEIGHT	LOG SIZE
240mm	370mm	230mm	350mm
FLUE DIAMETER	TOP FLUE LOCATION	FLUE TO BACK	REAR FLUE CENTRE TO FLOOR
6 inches 150 m	Centre Top from Bonnet	Bonnet Rear non combustible wall	725mm
AS2918 TESTING CONFIGURATION		FIRETOOLS INCLUDED	
Hawkwind Flue Kit with perforated mesh flue shield		Riddling Tool, Ash Scarper, Poker, Flue Brush & Lifter	
Clearances (based on the installation of a Hawkwind Flue Kit with perforated mesh flue shield)			
REAR	SIDE below Hob	SIDE above Hob	CORNER
25mm	LH 100mm RH 150mm	LH 450mm RH 350mm	N/A
Hearth Requirements			
FRONT	REAR	HEARTH MATERIAL	
300mm	Extend to Rear	12mm	

In the interest of product development, Stanley reserves the right to change product specifications. * Exclusions and Limitations apply