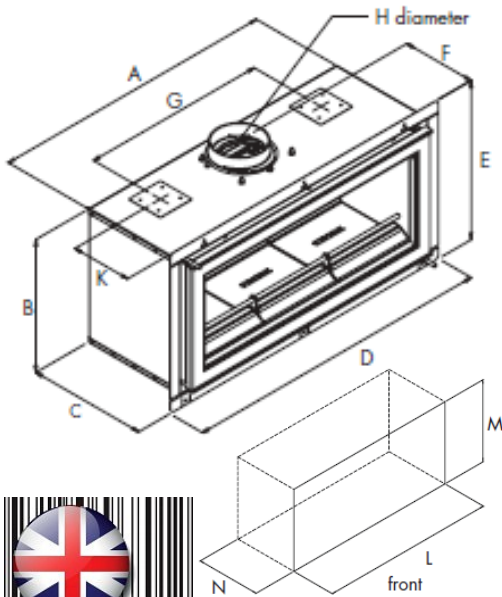




STOVAX

STOVAX RIVA 1 INBUILT



Studio 1

A	745mm
B	415mm
C	350mm
D	821mm
E	497mm
F	246mm
G	480mm
H \varnothing	153mm
K	240mm
L	820mm
M	679mm
N	378mm
Flame Viewing Area (w x h)	590 x 263mm
weight	92Kg



Zero Clearance Box Dimensions

The Stovax Riva™ Studio 1 built in cassette fire brings wood burning technology to the pinnacle of heating performance. Using the latest technologies, Stovax have created a contemporary, low emissions, high efficiency wood burning fire which boasts superb functionality and visual appeal.

Stovax Riva™ Studio fires feature the very latest clean burn combustion systems, allowing them to burn logs with outstanding efficiency, resulting in more heat delivery into the room and less going up the chimney. This technological advancement is achieved by introducing preheated, secondary air into the firebox to burn excess hydrocarbons in the smoke. Combine all of this with the optional fan assisted convection system and you can boost the flow of heat into your room.

Available in different styling options from the simple Edge or the larger format Edge Plus, Glass, Stainless Steel, Verve, Black and Profil frames.

STVS1C			
HEATER OUTPUT	EFFICIENCY	EMMISSIONS	
12.0 kW / 170m ²	64.0%	2.2gm/kg	
HEAT TRANSFER	WARRANTY*	COLOUR	
Radiant	5 years	Black	
BAFFLE	FIREBRICKS	FIREBOX	
Vermiculite	Vermiculite Brick Lined	Carbon Steel	
Machine Dimensions			
WIDTH	DEPTH	HEIGHT	GLASS DIMENSIONS
745mm	350mm	415mm	710mm x 383mm
Internal Fire Box			
WIDTH	DEPTH	HEIGHT	LOG SIZE
620mm	230mm	250mm	300mm
FLUE DIAMETER	FLUE LOCATION	TOP FLUE CENTRE TO BACK	REAR FLUE CENTRE TO FLOOR
6 inches 152 mm	Top	104mm	-
AS2918 TESTING CONFIGURATION			
Hawkwind Triple Skin Flue Kit			
Clearances (based on the installation of a Hawkwind Triple Skin Flue)			
REAR with heat shield	REAR without heat shield	SIDE	CORNER
REFER TO INSTALLATION MANUAL FOR TIMBER AND MASONRY INSTALLATIONS			
Hearth Requirements			
FRONT	SIDE	HEARTH MATERIAL	
300mm	200 mm	12mm Cement Sheet	

In the interest of product development, Stovax reserves the right to change product specifications. * Exclusions and Limitations apply