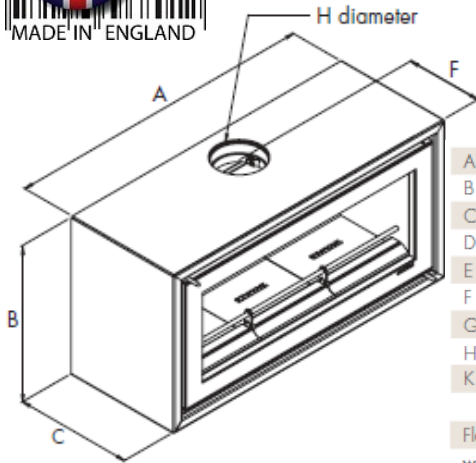




# STOVAX

## STOVAX RIVA 2 FREESTANDING



A	1000mm
B	504mm
C	380mm
D	-
E	-
F	260mm
G	-
H $\varnothing$	153mm
K	-
Flame Viewing Area (w x h)	790 x 289mm
weight	120Kg

The pure, simplistic form of the Riva™ Studio 2 Freestanding wood burning fireplace belies the high levels of engineering and technical innovation that offers exceptional performance and controllability. The Stovax Studio 2 Freestanding fire features the very latest clean burn combustion systems, allowing them to burn logs with outstanding efficiency, resulting in more heat delivery into the room and less going up the chimney. This technological advancement is achieved by introducing preheated, secondary air into the firebox to burn excess hydrocarbons in the smoke. Available with a number of optional extras to help you create the right look for your home, The Riva™ Studio 2 Freestanding can be hearth mounted or sited onto the optional Riva™ Bench to achieve a distinctive look and create maximum visual impact. An optional Heat Shield Kit can be fitted to the fireplace in order to reduce the minimum clearances. Other styling options include a black glass top plate, a square decorative flue cover (suitable for non combustible walls) and polished granite black hearths.

STVSF2			
HEATER OUTPUT	EFFICIENCY	EMMISSIONS	
15.0 kW / 210 m <sup>2</sup>	61.0%	2.2gm/kg	
HEAT TRANSFER	WARRANTY*	COLOUR	
Radiant	5 years	Black	
BAFFLE	FIREBRICKS	FIREBOX	
Vermiculite	Vermiculite Brick Lined	Cast Iron	
Machine Dimensions			
WIDTH	DEPTH	HEIGHT	GLASS DIMENSIONS
1000mm	380mm	504mm	910mm x 409mm
Internal Fire Box			
WIDTH	DEPTH	HEIGHT	LOG SIZE
820mm	230mm	270mm	400mm
FLUE DIAMETER	FLUE LOCATION	TOP FLUE CENTRE TO BACK	REAR FLUE CENTRE TO FLOOR
6 inches 152 mm	Top	120mm	-
AS2918 TESTING CONFIGURATION			
Pioneer Double Flue Mounted Shield			
Clearances (based on the installation of a Pioneer Double Mounted Flue Shield)			
REAR with heat shield	REAR without heat shield	SIDE with heat shield	SIDE without heat shield
150mm	360mm	800mm	425mm
Hearth Requirements			
FRONT	SIDE	HEARTH MATERIAL	
500mm	200 mm	12mm Cement sheet	

In the interest of product development, Stovax reserves the right to change product specifications. \* Exclusions and Limitations apply